

BENEFITS:

- The preferred power source for sophisticated photographic equipment
- Maintains high performance in extreme weather (-40°C to +60°C)
- Maintains excellent discharge performance at extremely low temperature



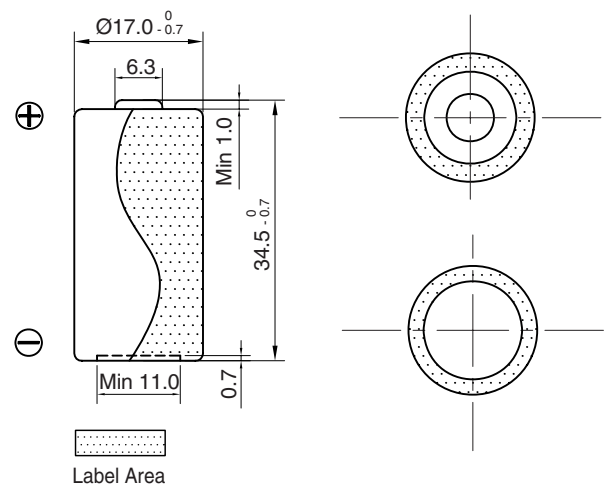
- **GP Lithium Battery**
- **3 Volts**

APPLICATIONS BEST FOR:



Other Details:

- Lithium Manganese Dioxide chemistry
- Cylindrical cell type
- Average weight: 16g



Unit : mm

